

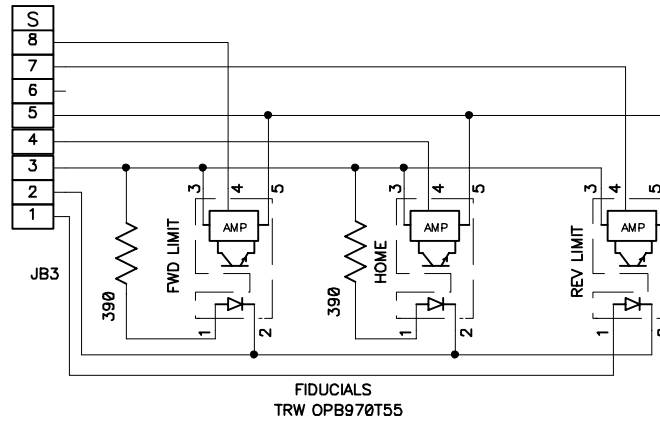
NOTE: ON EACH AMP-1140, INCOM & LSCOM ARE JUMPERED TO +5V.

UNIVERSITY OF CALIFORNIA LICK OBSERVATORY		COLLIMATOR FOCUS MOTOR #3 STAGE WIRING ESI SPECTROGRAPH	
DES'N BY: B. Alcott	ORIGIN DATE: 3/8/96	DWG. NO. EL-3362-1L	NUM. 1 OF 2
DRAWN BY:	MODIFY DATE: 01-21-00	EL-3362-1L	
PATH: ESI\COLL3	REV. A		

REVISION

- 12-10-97 CHANGED TO DUAL LOOP ENCODING
- 01-16-98 ADDED INTERCONNECT BOX EL NUMBER
- 01-23-98 ADDED SECONDARY LIMIT SWITCHES
- 07-24-98 CHANGED AUX ENCODER DESIGNATIONS FROM A TO G
- 01-14-99 SWAPPED PINS 1 AND 2 OF JB2
- 07-27-99 tc ADDED RENISHAW MONITORING WIRES AT TB1:23,24.
ALSO ADDED PINS 6-8 ON JB3
- 01-21-00 CORRECTED CONNECTOR TO J20 AT TOP OF DRAWING

LIMITS LOCATED ON STAGE



REVISION

9-12-97 CHANGED PRIMARY LIMITS TO OPTICAL INTERRUPTERS
12-10-97 CHANGED TO DUAL LOOP ENCODING

UNIVERSITY OF CALIFORNIA
LICK OBSERVATORY

COLLIMATOR FOCUS MOTOR #3
STAGE WIRING
ESI SPECTROGRAPH

DES'N BY: B. Alcott

ORIGIN DATE: 3/8/96

DWG. NO.

NUM. 2 OF 2

DRAWN BY:

MODIFY DATE: 12-10-97

PATH: ES\COLL3

REV. A

EL-3362-1L