

\*\* INPUT VOLTAGE SETTING  
EITHER VOLTAGE DIVIDER  
OR ZENER DIODE  
SEE PAGE 2

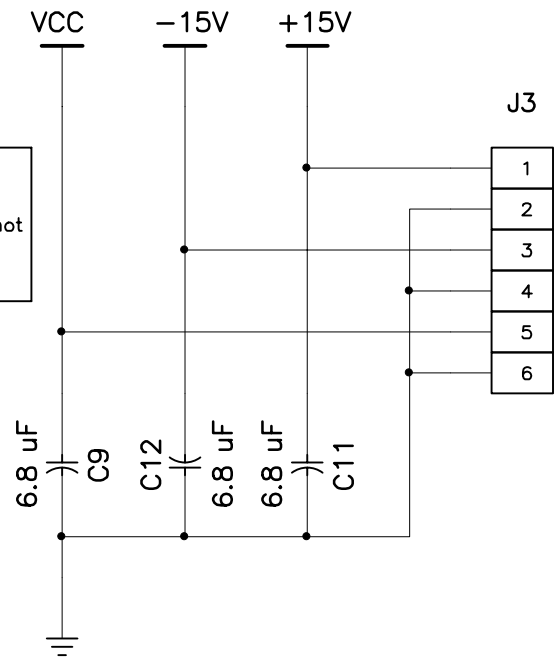
\* SELECT FOR PROPER  
LAMP CURRENT  
SEE PAGE 2

Note: this MOSFET is included  
only for the circuit board artwork.  
Install either one or the other - not  
both!

Note: this MOSFET is included  
only for the circuit board artwork.  
Install either one or the other - not  
both!

CONNECTORS:

	BOARD	CABLE
J1, J2	22-05-3061	22-01-3067
J3	26-60-5060	09-50-8063
J4	26-60-5040	09-50-8043



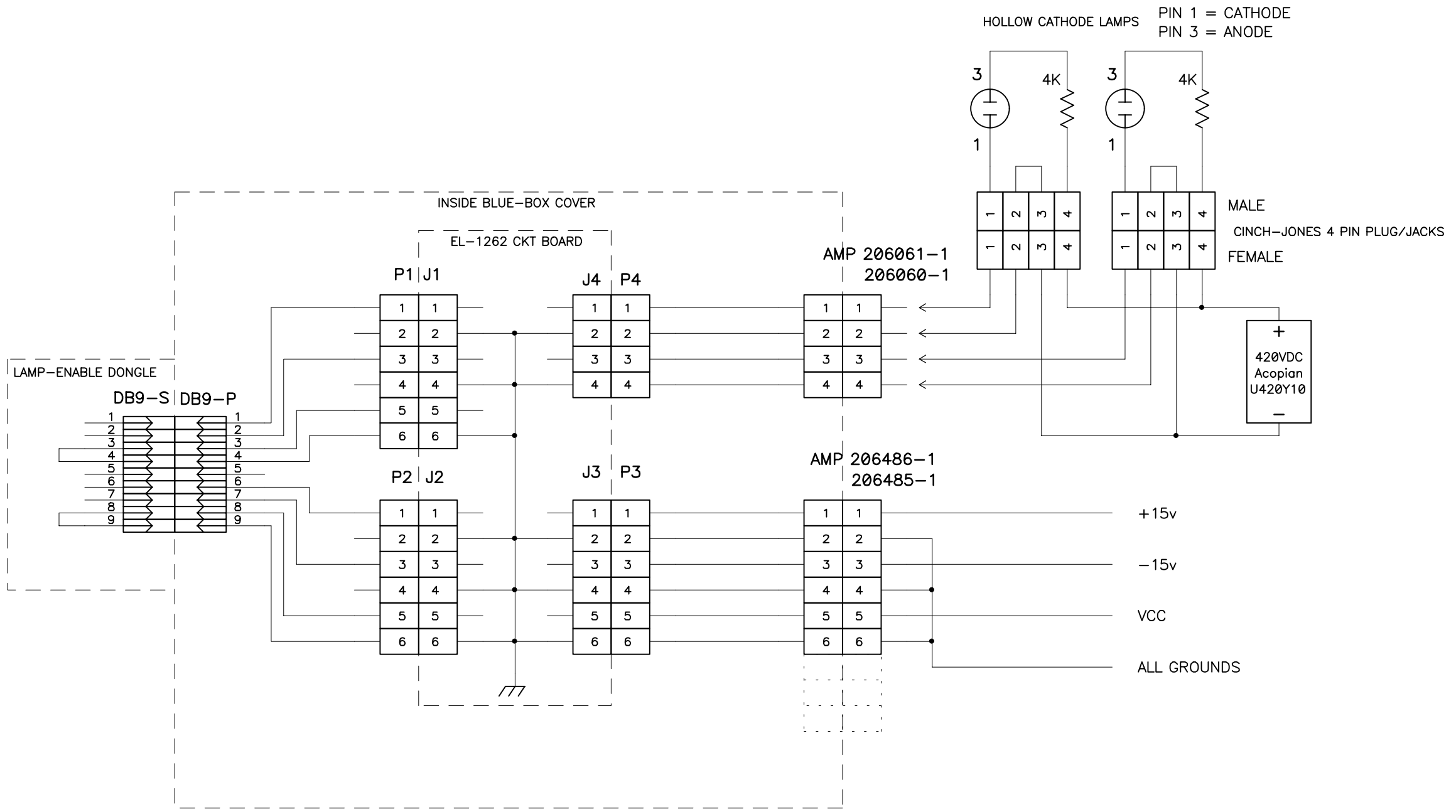
REVISION  
10-29-98 CLEANED UP VARIOUS LABELS AND ADDED NOTES

UNIVERSITY OF CALIFORNIA LICK OBSERVATORY		DUAL HOLLOW CATHODE DRIVER BOARD	
DES'N BY: B. Alcott	ORIGIN DATE: 9-14-98	DWG. NO.	NUM. 1 OF 3
Last SN 10	MODIFY DATE: 10-29-98	EL-1262-2S	
PATH: MULTIPURPOSE\EL-1262\HOLLOWC			

USE	SER#	R14	R15/D7	R9	R10	R11	R12	R13	NOTES
DEIMOS	-	10K	1N751A	1.21K	15K	-	-	-	R21 = R14
ESI	1	10K	1N751A	6.19K	6.19K	6.19K	5.62K	4.75K	HEATSINK ON Q2 is (WAKEFIELD 296-2AB) R16 = R15 JUMPER J1:5-6 & J2:5-6
SPARE	2	10K	1N751A	6.19K	6.19K	6.19K	5.62K	4.75K	HEATSINK ON Q2 is (WAKEFIELD 296-2AB) R16 = R15 JUMPER J1:5-6 & J2:5-6
-	-	-	-	-	-	-	-	-	-
-	-	-	-	-	-	-	-	-	-
-	-	-	-	-	-	-	-	-	-
-	-	-	-	-	-	-	-	-	-
-	-	-	-	-	-	-	-	-	-
-	-	-	-	-	-	-	-	-	-
-	-	-	-	-	-	-	-	-	-
-	-	-	-	-	-	-	-	-	-
-	-	-	-	-	-	-	-	-	-
-	-	-	-	-	-	-	-	-	-
-	-	-	-	-	-	-	-	-	-
-	-	-	-	-	-	-	-	-	-
-	-	-	-	-	-	-	-	-	-
-	-	-	-	-	-	-	-	-	-
-	-	-	-	-	-	-	-	-	-
-	-	-	-	-	-	-	-	-	-
-	-	-	-	-	-	-	-	-	-
-	-	-	-	-	-	-	-	-	-
-	-	-	-	-	-	-	-	-	-
-	-	-	-	-	-	-	-	-	-
-	-	-	-	-	-	-	-	-	-
-	-	-	-	-	-	-	-	-	-

UNIVERSITY OF CALIFORNIA LICK OBSERVATORY		DUAL HOLLOW CATHODE DRIVER BOARD SELECTED PARTS	
DES'N BY: B. Alcott	ORIGIN DATE: 9-14-98	DWG. NO.	NUM. 2 OF 3
Last SN 10	MODIFY DATE: 05-04-99	EL-1262-2S	
PATH: MULTIPURPOSE\EL-1262\HOLLOWC			

REVISION  
05-04-99 tc ADDED SER# COLUMN, SPARE BOARD DATA, AND CORRECTED RES VALUES



UNIVERSITY OF CALIFORNIA LICK OBSERVATORY		DUAL HOLLOW CATHODE DRIVER CONNECTOR WIRING	
DES'N BY: B. Alcott	ORIGIN DATE: 9-14-98	DWG. NO.	NUM. 3 OF 3
Last SN	MODIFY DATE: 05-04-99	EL-1262-2S	
PATH: MULTIPURPOSE\EL-1262\HOLLOWC			

REVISION  
05-04-99 to BROUGHT LAMP CONNECTIONS TO 'AS BUILT'