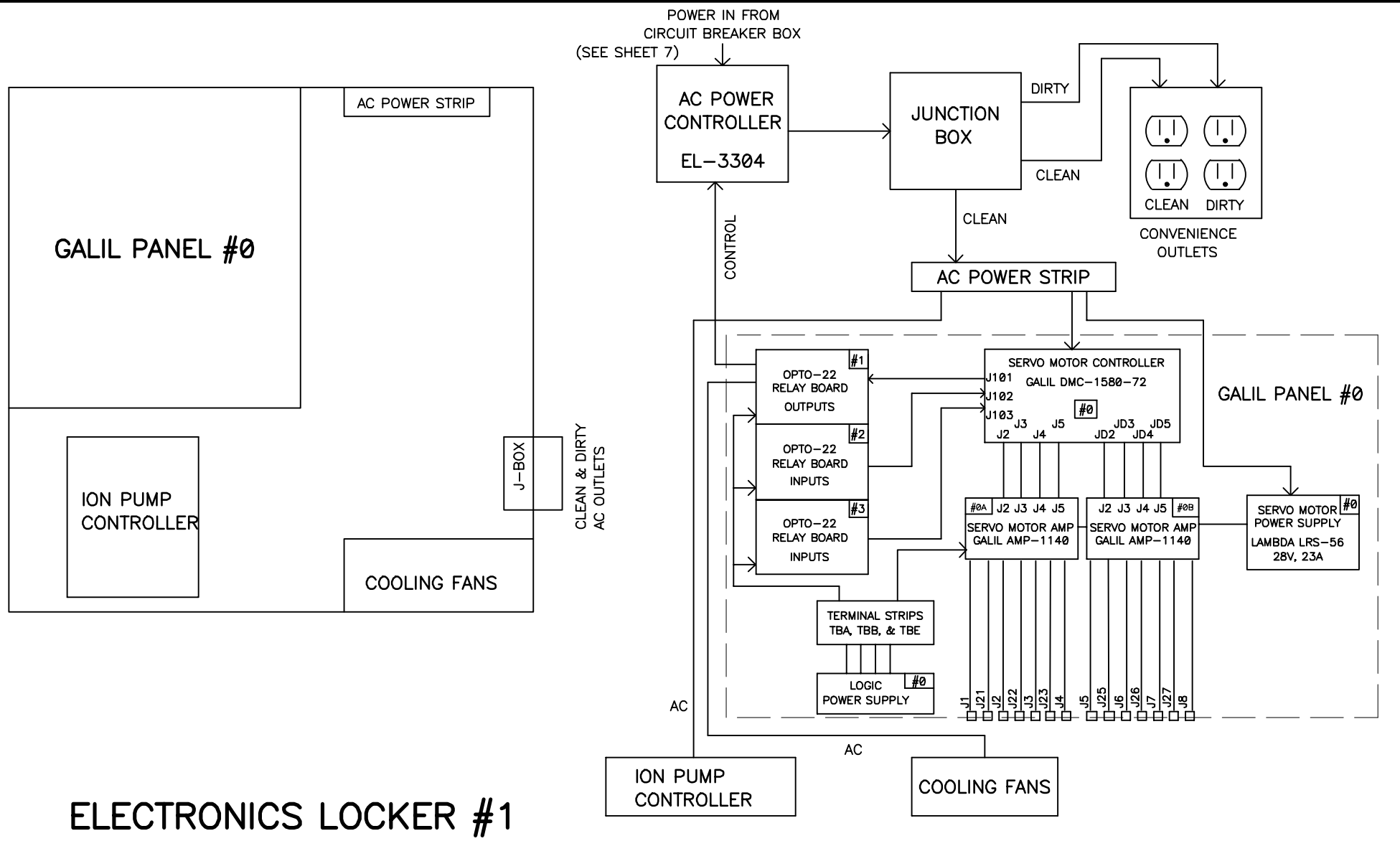


ALSO SEE REMAINING SHEETS

UNIVERSITY OF CALIFORNIA LICK OBSERVATORY		SERVO STAGE CONTROL OVERALL BLOCK DIAGRAM ESI SPECTROGRAPH	
DES'N BY: B. Alcott		ORIGIN DATE: 4/11/96	DWG. NO. NUM. 1 OF 8
DRAWN BY:		MODIFY DATE: 9-29-99	EL-3302-1B
PATH: ESI\SERVO		REV. B	

REVISION

- 11-18-97 CHANGED CONTROLLERS FROM 1 & 2 TO 0 & 1
- 12-10-97 ADDED 2ND AND 3RD SHEET TO SHOW PNEUMATIC AND OTHER STAGES
- 01-14-98 CHANGED IMAGE FLAT AND LOW DISP FLAT STAGES TO SERVO MOTORS
- 02-09-98 ADDED BARCODE READERS FOR FILTER, APERTURE, AND SLIT MASK WHEELS
- 07-24-98 CORRECTED EXPANSION CABLE DESIGNATIONS
- 09-03-98 REMOVED CALIBRATION STAGE
- 11-23-98 ADDED LOGIC POWER SUPPLIES TO DRAWING
- 09-29-99 ADDED IP ADDRESSES TO LANTRONIX AND GALIL BOXES
- 01-21-00 CORRECTED 'POWER IN FROM' LABEL AT TOP OF SHEET 4



ELECTRONICS LOCKER #1

UNIVERSITY OF CALIFORNIA
LICK OBSERVATORY

SERVO STAGE CONTROL
OVERALL BLOCK DIAGRAM
ESI SPECTROGRAPH

REVISION

9/16/98 ADDED NEW SHEETS SHOWING INDIVIDUAL ELECTRONICS LOCKERS
 11-23-98 ADDED LOGIC POWER SUPPLIES AND AC STRIP TO DRAWING
 12-15-98 ADDED EL-3304 NUMBER TO DRAWING
 4-21-99 CORRECTED POWER ROUTING AT TOP OF PAGE WAS: BOX 2, IS BOX 3
 6-29-99 CHANGED AC POWER WIRING TO REFLECT CIRCUIT BREAKER/SWITCH REWIRE

DES'N BY: B. Alcott

ORIGIN DATE: 4/11/96

DWG. NO.

NUM. 2 OF 8

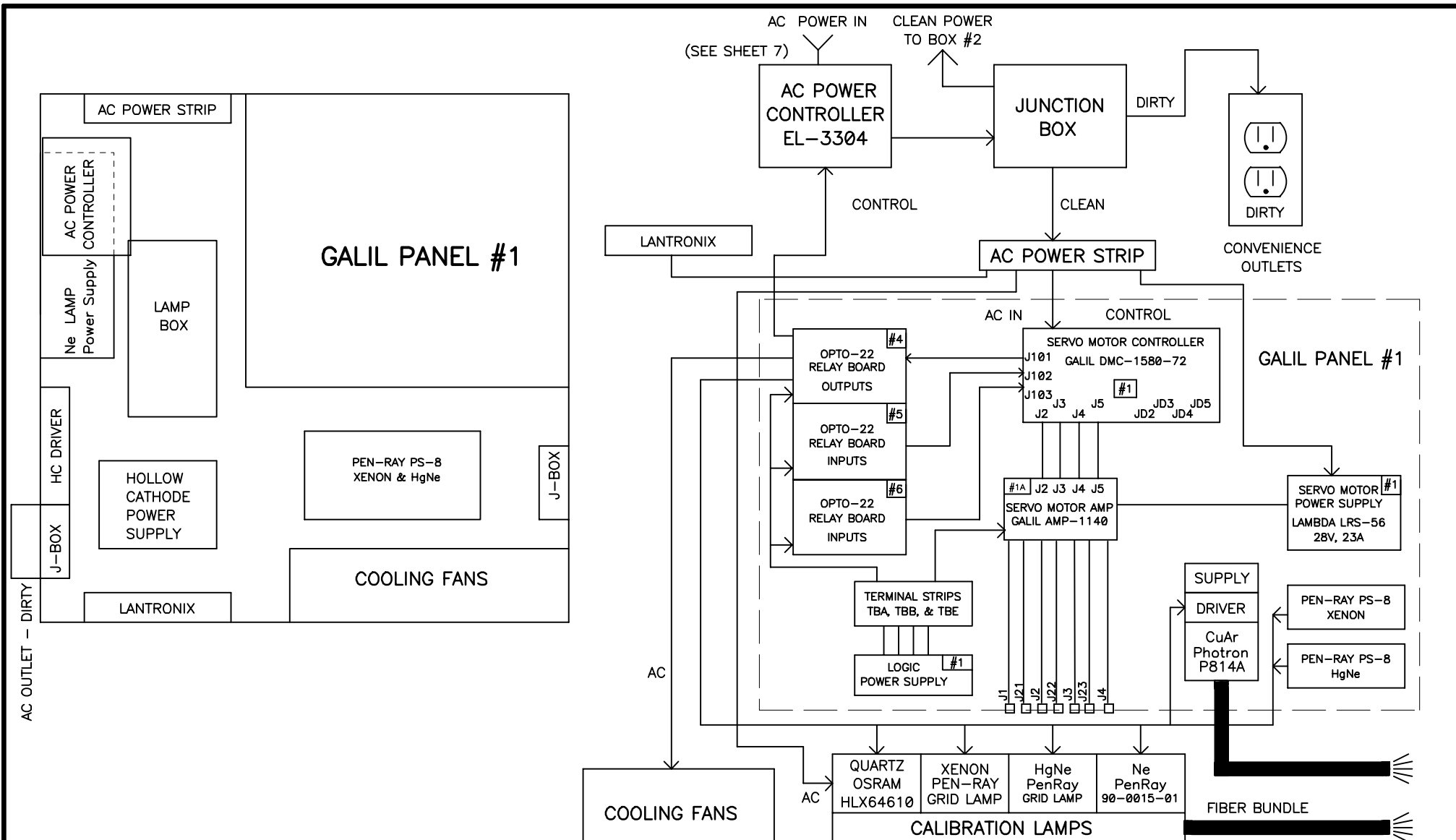
DRAWN BY:

MODIFY DATE: 6-29-99

PATH: ESI\SERVO

REV. B

EL-3302-1B



ELECTRONICS LOCKER #3

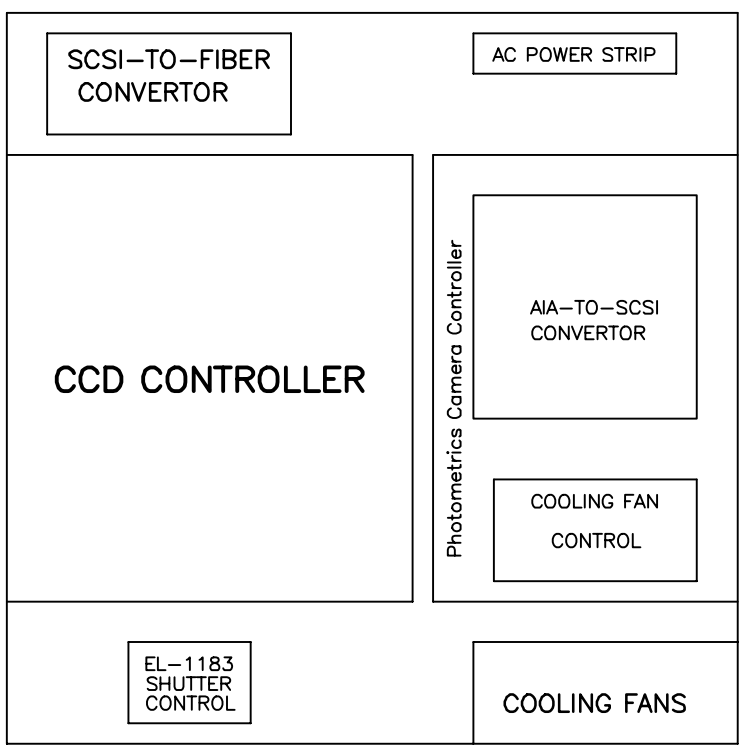
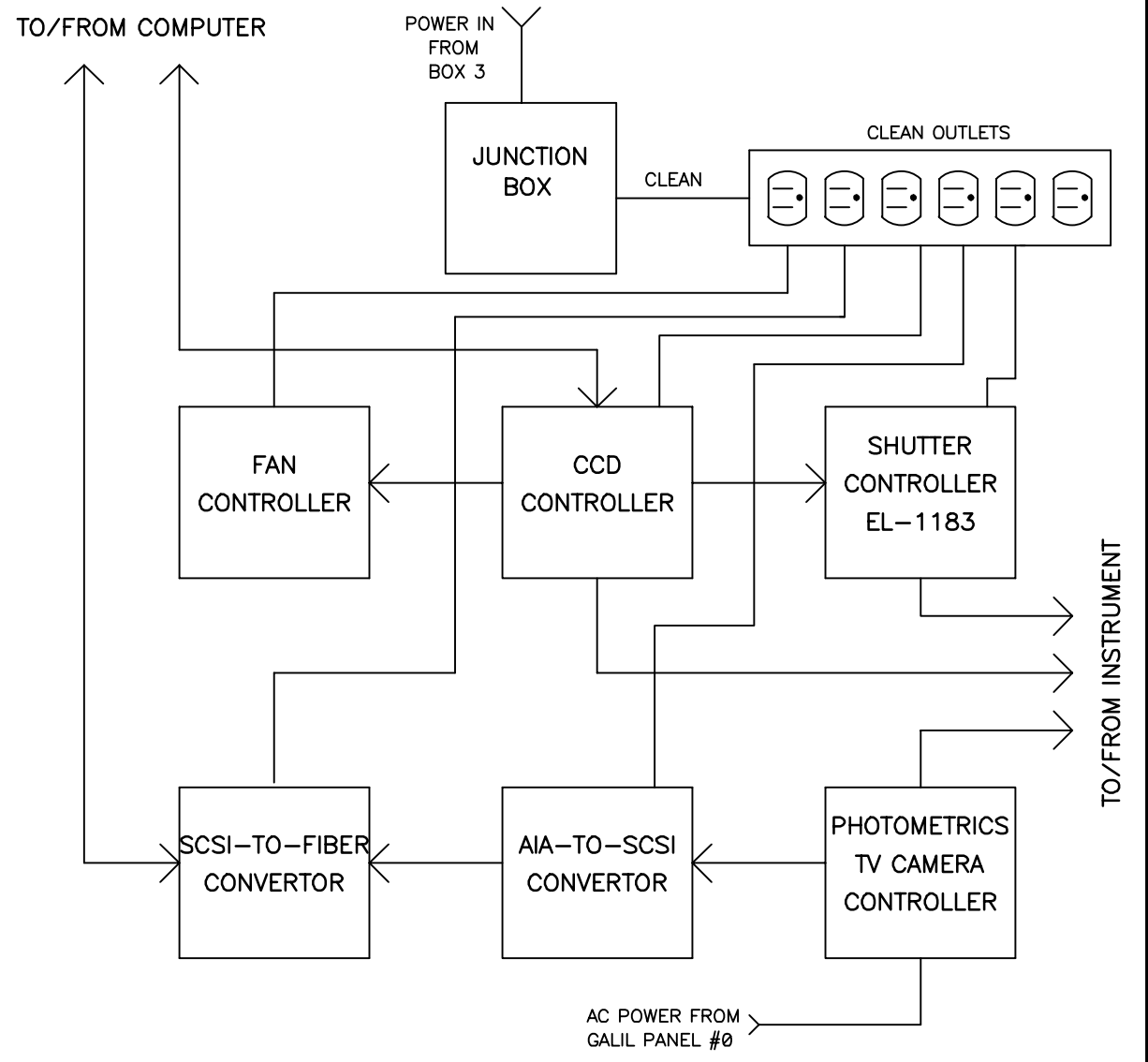
UNIVERSITY OF CALIFORNIA
LICK OBSERVATORY

SERVO STAGE CONTROL
OVERALL BLOCK DIAGRAM
ESI SPECTROGRAPH

REVISION	
11-23-98	ADDED LOGIC POWER SUPPLIES AND AC STRIP TO DRAWING
12-15-98	ADDED EL-3304 NUMBER TO DRAWING
12-16-98	ADDED LANTRONIX BOX POWER CORD
01-08-99	ADDED QUARTZ LAMP
04-21-99	CORRECTED POWER ROUTING AT TOP OF PAGE WAS: BOX 3, IS BOX 2
06-29-99	CHANGED AC POWER WIRING TO REFLECT CIRCUIT BREAKER/SWITCH REWIRE
10-05-99	ADDED PEN-RAY PS-8 POWER SUPPLIES FOR THE XENON AND HgNe LAMPS

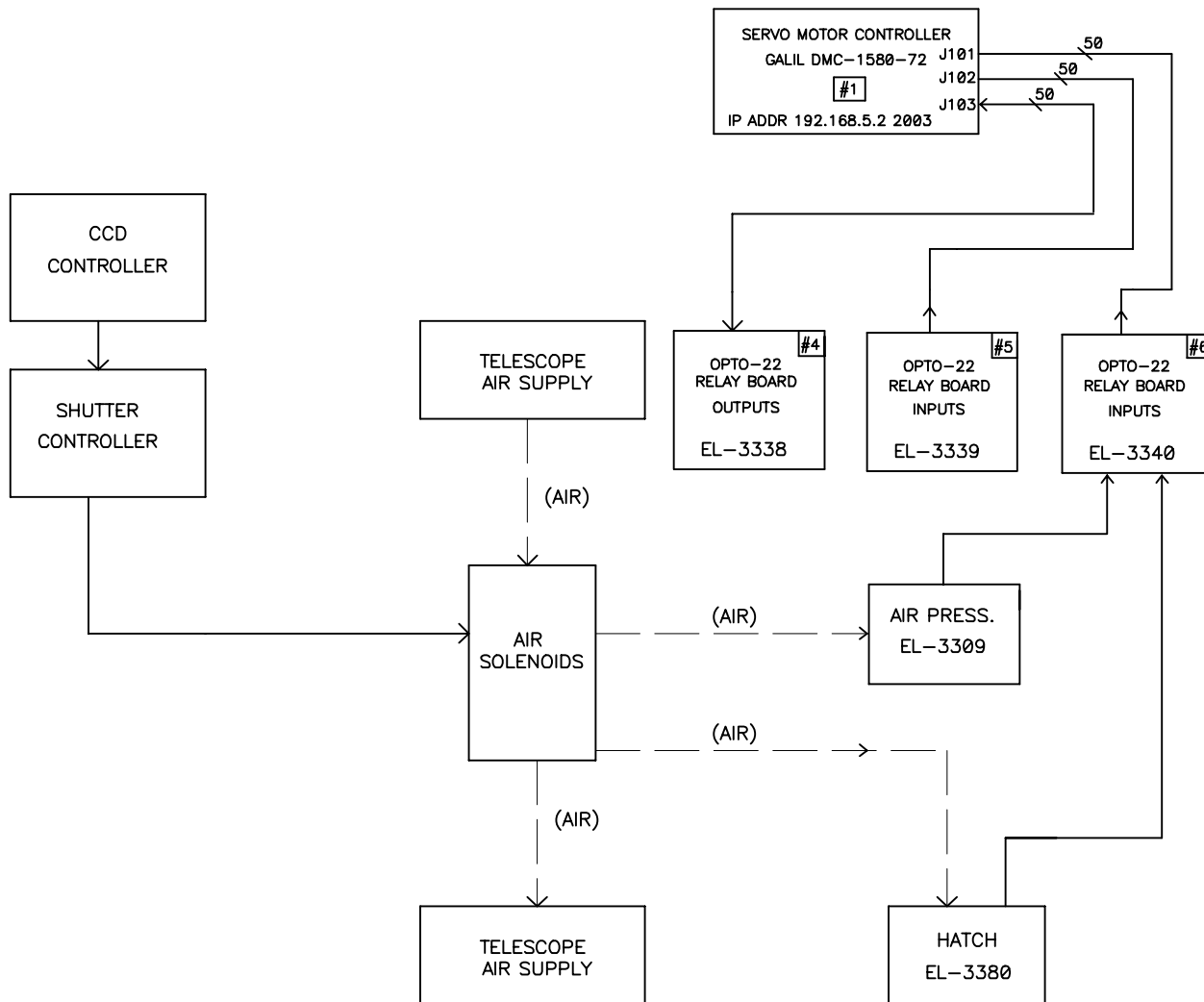
DES'N BY: B. Alcott	ORIGIN DATE: 4/11/96
DRAWN BY:	MODIFY DATE: 10-05-99
PATH: ESI\SERVO	
REV. B	

DWG. NO.	NUM. 3 OF 8
EL-3302-1B	



ELECTRONICS LOCKER #2

UNIVERSITY OF CALIFORNIA LICK OBSERVATORY		SERVO STAGE CONTROL OVERALL BLOCK DIAGRAM ESI SPECTROGRAPH	
		DES'N BY: B. Alcott	ORIGIN DATE: 4/11/96
REVISION		DRAWN BY:	MODIFY DATE: 01-21-00
9/16/98 ADDED NEW SHEETS SHOWING INDIVIDUAL ELECTRONICS LOCKERS 10-21-98 GENERATED THIS SHEET 11-23-98 ADDED AC POWER LINES 12-17-98 ADDED LABEL TO PHOTOMETRICS CAMERA CONTROLLER		PATH: ESI\SERVO	REV. B
		DWG. NO.	NUM. 4 OF 8
		EL-3302-1B	



UNIVERSITY OF CALIFORNIA
LICK OBSERVATORY

SERVO STAGE CONTROL
OVERALL BLOCK DIAGRAM
ESI SPECTROGRAPH

REVISION

12-10-97 ADDED SECOND SHEET TO SHOW PNEUMATIC STAGES
 1-14-98 CHANGED IMAGE FLAT AND LOW DISP FLAT STAGES TO SERVO MOTORS
 7/24/98 CORRECTED EXPANSION CABLE DESIGNATIONS
 1-8-99 REMOVED GALIL CONTROLLER #0 AND ADDED CCD CONTROLLER
 9-29-99 ADDED IP ADDRESS TO GALIL BOX

DES'N BY: B. Alcott

ORIGIN DATE: 4/11/96

DWG. NO.

NUM. 5 OF 8

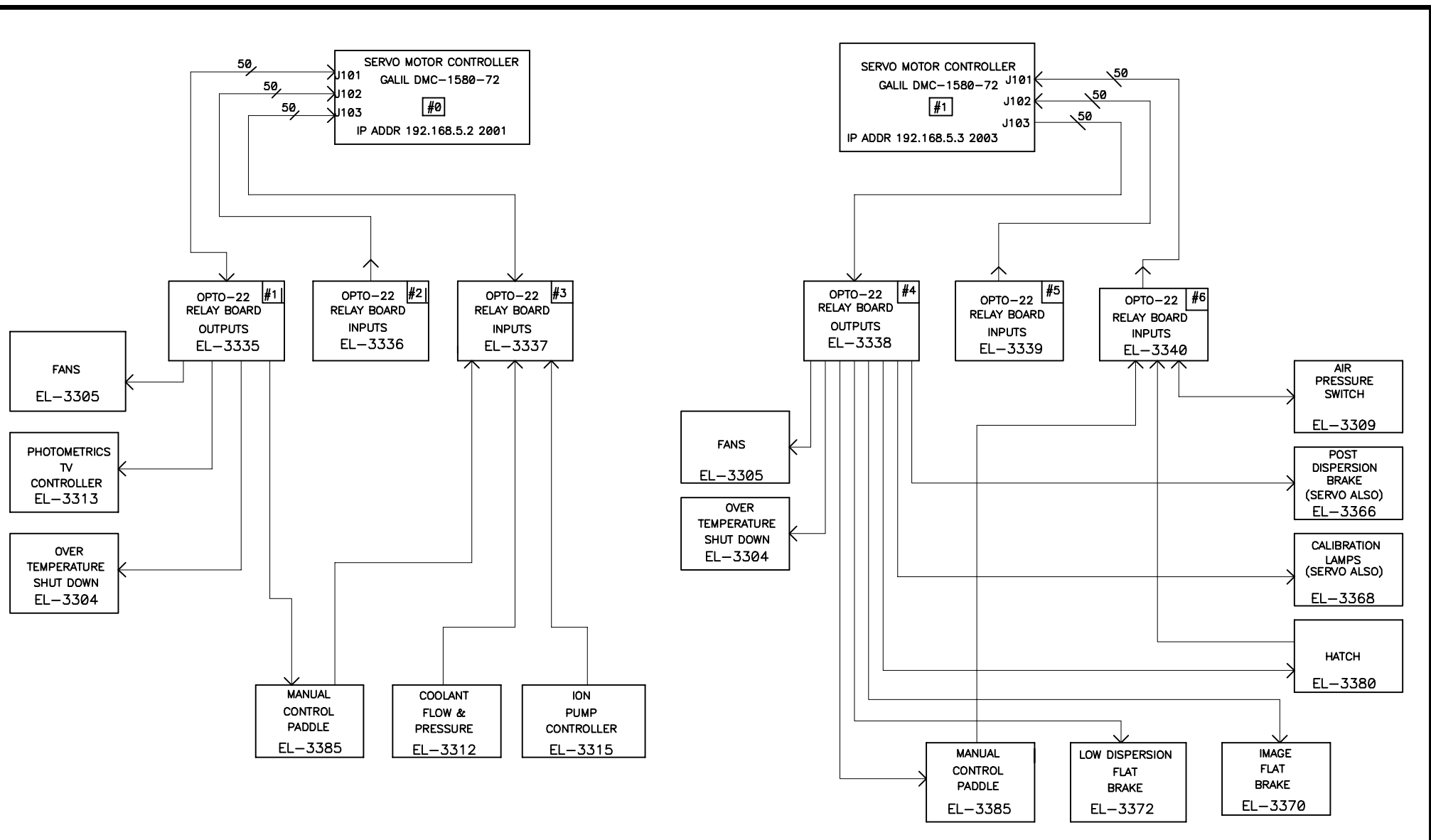
DRAWN BY:

MODIFY DATE: 9-29-99

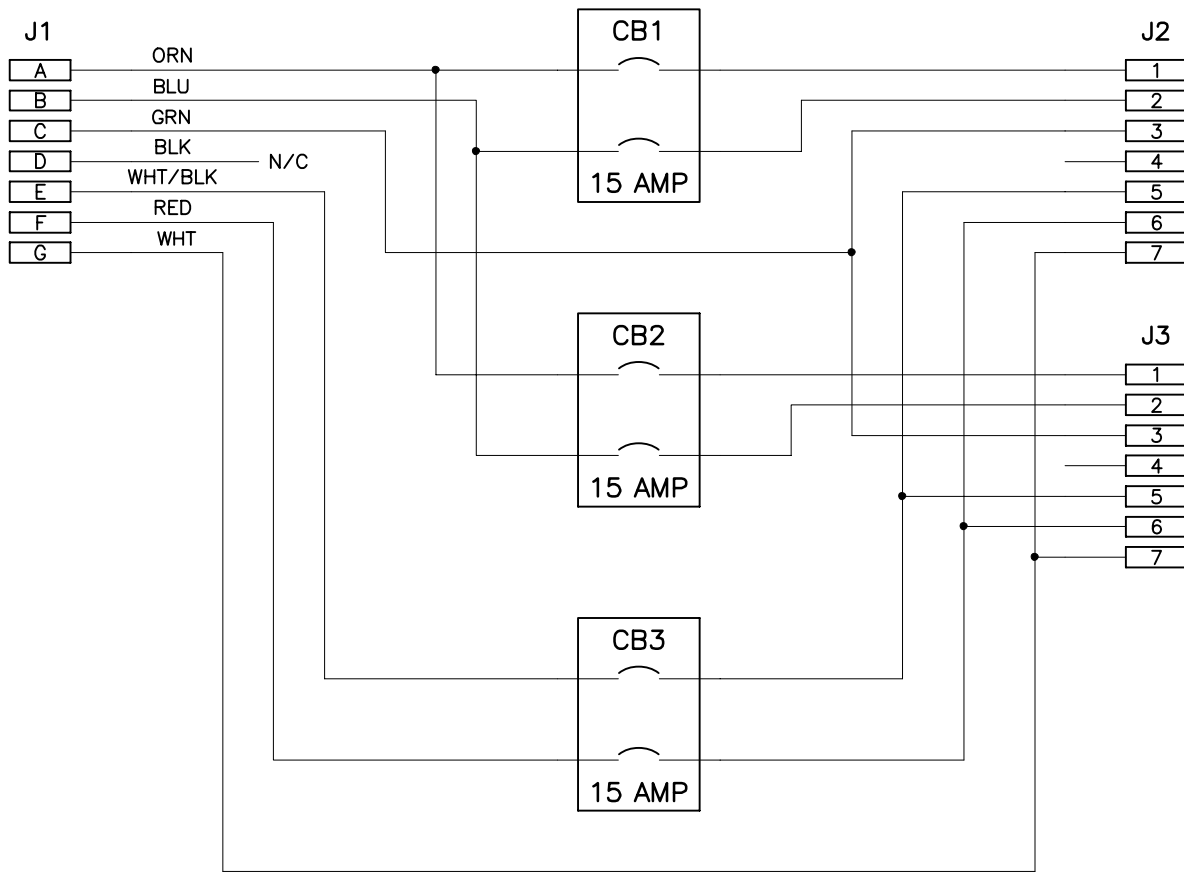
PATH: ESI\SERVO

REV. B

EL-3302-1B



UNIVERSITY OF CALIFORNIA LICK OBSERVATORY		SERVO STAGE CONTROL OVERALL BLOCK DIAGRAM ESI SPECTROGRAPH	
		DES'N BY: B. Alcott	ORIGIN DATE: 4/11/96
REVISION		DRAWN BY:	MODIFY DATE: 9-29-99
1-15-98 ADDED IMAGE AND LOW DISP. FLATS AND EL NUMBERS 7/24/98 CORRECTED EXPANSION CABLE DESIGNATIONS 1-8-99 CHANGED PD PRISM WORDING FROM LOCK TO BRAKE 1-11-99 ADDED MISSING BLOCKS: ION PUMP, AIR PRESSURE, CONT. FANS & SHUTDOWN 9-29-99 ADDED IP ADDRESSES TO GALIL BOXES		PATH: ESI\SERVO	REV. B
		DWG. NO.	NUM. 6 OF 8
		EL-3302-1B	



REVISION

06-29-99 ADDED CIRCUIT BREAKER BOX FOR AC POWER
 10-06-99 CHANGED PIN DESIGNATIONS ON J1 FROM 1-7 TO A-G

UNIVERSITY OF CALIFORNIA
 LICK OBSERVATORY

SERVO STAGE CONTROL
 OVERALL BLOCK DIAGRAM
 ESI SPECTROGRAPH

DES'N BY: B. Alcott

ORIGIN DATE: 4/11/96

DWG. NO. NUM. 7 OF 8

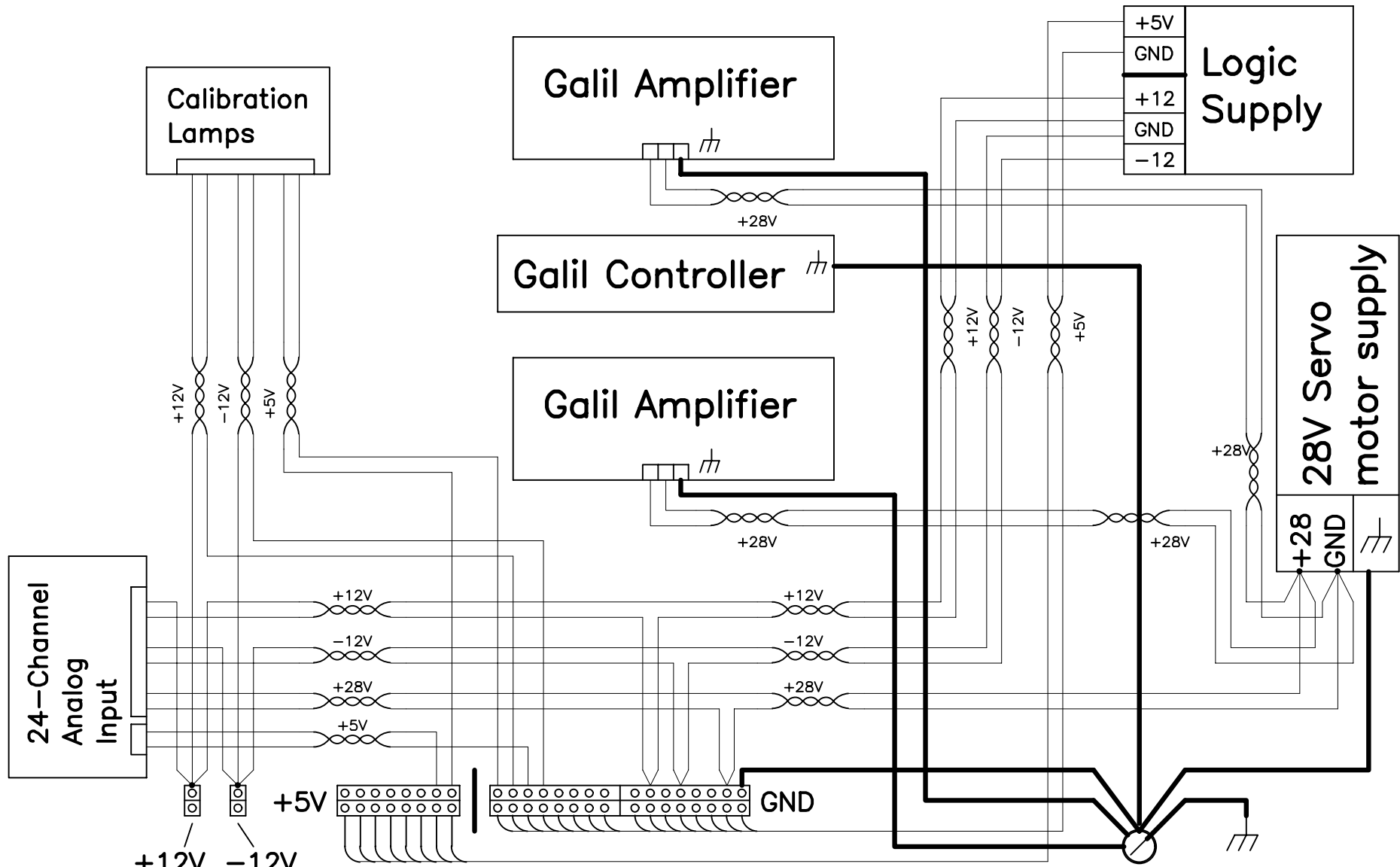
DRAWN BY:

MODIFY DATE: 10-06-99

PATH: ESI\SERVO

REV. B

EL-3302-1B



UNIVERSITY OF CALIFORNIA
LICK OBSERVATORY

SERVO STAGE CONTROL
OVERALL BLOCK DIAGRAM
ESI SPECTROGRAPH

REVISION

8-31-99 ADDED SHEET 8 WHICH SHOWS THE PLATE SHIELDING AND GROUNDING

DES'N BY: B. Alcott

ORIGIN DATE: 4/11/96

DWG. NO.

NUM. 8 OF 8

DRAWN BY:

MODIFY DATE: 8-31-99

PATH: ESI\SERVO

REV. B

EL-3302-1B