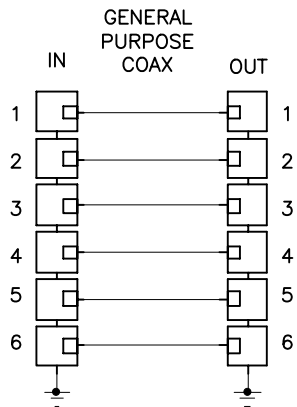
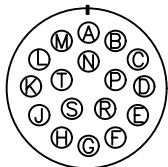
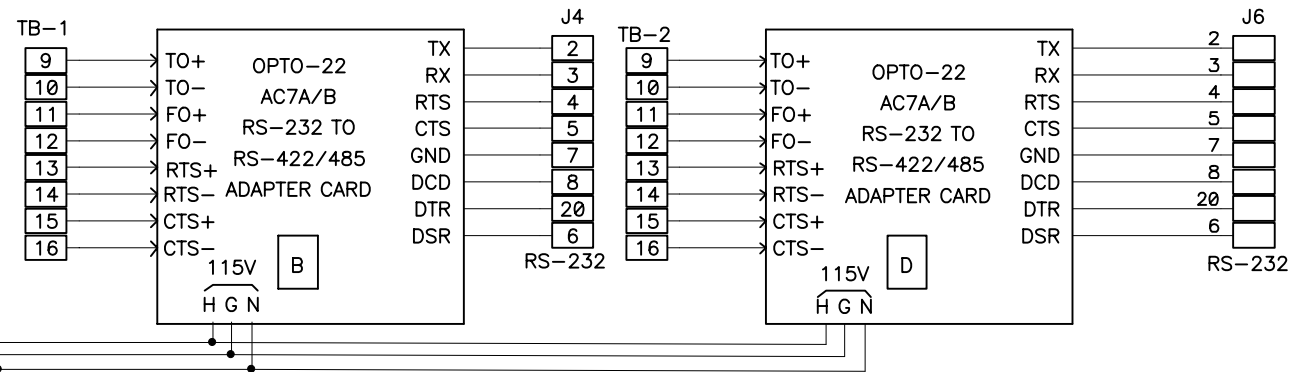
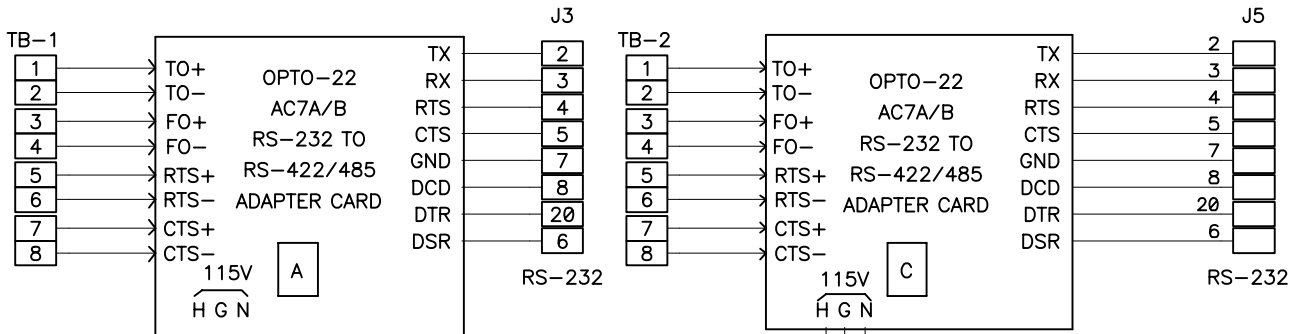


J1 TB-1 J2 TB-2

PIN	FUNCTION	PIN
A	A TO+	1
B	A TO-	2
C	A FO+	3
D	A FO-	4
E	A RTS+	5
F	A RTS-	6
G	A CTS+	7
H	A CTS-	8
J	B TO+	9
K	B TO-	10
L	B FO+	11
M	B FO-	12
N	B RTS+	13
P	B RTS-	14
R	B CTS+	15
S	B CTS-	16
T	GROUND	17

PIN	FUNCTION	PIN
A	C TO+	1
B	C TO-	2
C	C FO+	3
D	C FO-	4
E	C RTS+	5
F	C RTS-	6
G	C CTS+	7
H	C CTS-	8
J	D TO+	9
K	D TO-	10
L	D FO+	11
M	D FO-	12
N	D RTS+	13
P	D RTS-	14
R	D CTS+	15
S	D CTS-	16
T	GROUND	17



17 PIN CONNECTOR  
MS3102A-20-29P (CHASSIS)  
MS3106A-20-29S (CABLE)

UNIVERSITY OF CALIFORNIA  
LICK OBSERVATORY

READ OUT ROOM  
JUNCTION BOX WIRING  
MULTI OBJECT SPECTROGRAPH

REVISION

2/18/99 CONVERTED TO ACCEL EDA (V14)

DES'N BY: B. Alcott

ORIGIN DATE: 4/22/94

DWG. NO.

NUM. 1 OF 1

Last SN:

MODIFY DATE: 2/18/99

PATH: AMOS\RORJBOX

REV. B

EL-1169-1L - M