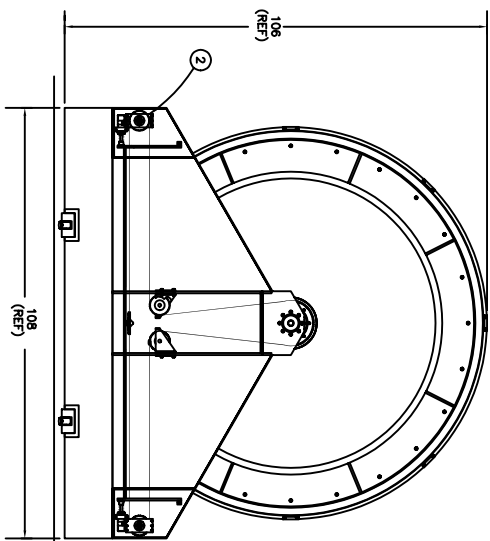


1 RECD
 -1 TOP ASSEMBLY

- NOTES:
1. SEE D6205 FOR KECK 2 NASMYTH MOUNTING LOCATION
 2. SEE D0123 FOR CURRENT OPTICAL LAYOUT
 3. SEE D0002 FOR POSITION ANGLES
 4. SEE D0010 FOR K2 GENERAL ASSEMBLY
 5. SEE D0013 FOR K2 RIGHT NASMYTH PLATFORM



INCHES



REV	DATE	BY	CHK	DESCRIPTION	MATERIAL	SCALE	REV	DATE	BY	CHK	DESCRIPTION	MATERIAL
0	11/28/88	L.O.		ISSUE FOR CONSTRUCTION								
1	12/15/88	L.O.		REVISION								
2	01/28/89	L.O.		REVISION								
3	02/02/89	L.O.		REVISION								
4	02/02/89	L.O.		REVISION								
5	02/02/89	L.O.		REVISION								
6	02/02/89	L.O.		REVISION								
7	02/02/89	L.O.		REVISION								
8	02/02/89	L.O.		REVISION								
9	02/02/89	L.O.		REVISION								
10	02/02/89	L.O.		REVISION								
11	02/02/89	L.O.		REVISION								
12	02/02/89	L.O.		REVISION								
13	02/02/89	L.O.		REVISION								
14	02/02/89	L.O.		REVISION								
15	02/02/89	L.O.		REVISION								
16	02/02/89	L.O.		REVISION								
17	02/02/89	L.O.		REVISION								
18	02/02/89	L.O.		REVISION								
19	02/02/89	L.O.		REVISION								
20	02/02/89	L.O.		REVISION								
21	02/02/89	L.O.		REVISION								
22	02/02/89	L.O.		REVISION								
23	02/02/89	L.O.		REVISION								
24	02/02/89	L.O.		REVISION								

UNIVERSITY OF CALIFORNIA
 LASER OBSERVATORY
 KECK/DEIMOS
 TOP ASSEMBLY

DATE: 12/15/88
 DRAWN BY: L.O.
 CHECKED BY: L.O.
 APPROVED BY: L.O.
 PART NO. D0001.R