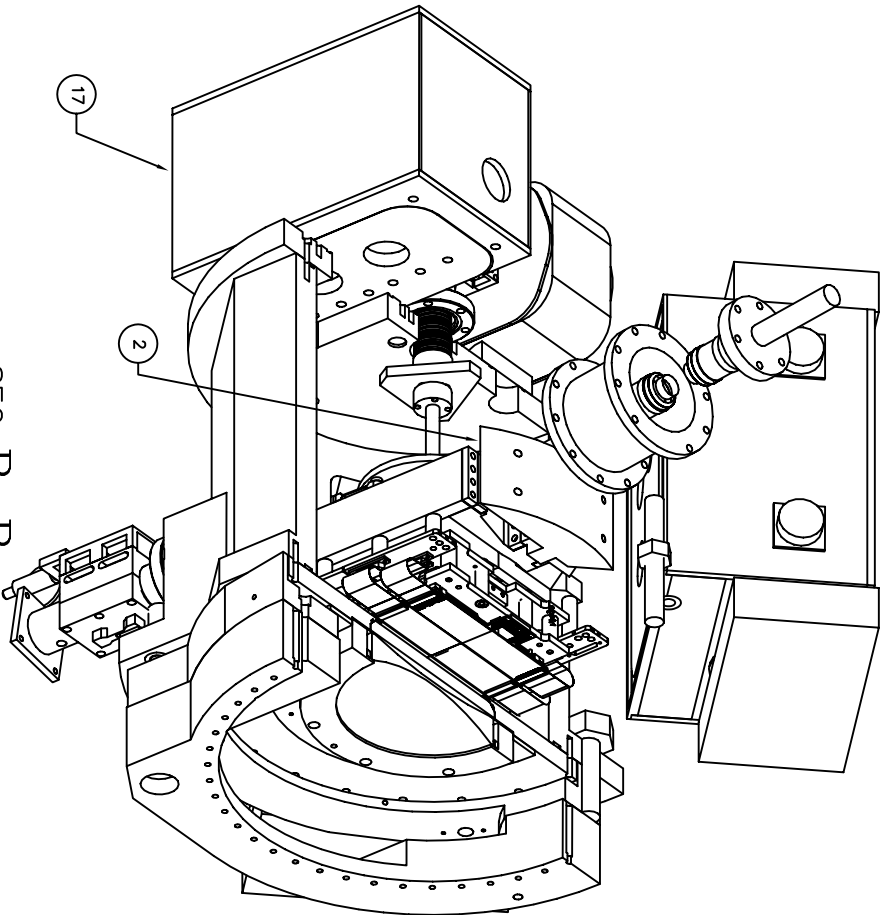


SEC. B-B
FROM D7160, SHIT. 2 OF 5



NOTES:
1. SEE D7160, SHIT 2 OF 5
FOR PARTS LIST.

SEC. B-B
OF SOLID MODEL
FROM D7160, SHIT. 1 OF 5

PART NO.	QTY	DESCRIPTION	MATERIAL	PART NO.	QTY	DESCRIPTION	MATERIAL
TOLERANCES UNLESS OTHERWISE NOTED: DIMENSIONS ARE GIVEN IN DECIMALS IN INCHES UNLESS OTHERWISE SPECIFIED. HOLE DIA. UNLESS OTHERWISE SPECIFIED. HOLE DIA. UNLESS OTHERWISE SPECIFIED.			STEEL				
			N/A				
UNIVERSITY OF CALIFORNIA LICK OBSERVATORY KECK/DEIMOS				DEWAR ASSY			
DATE	BY	CHKD	APP'D	DATE	BY	CHKD	APP'D
				2/22/07			
D7160P				D7160P			