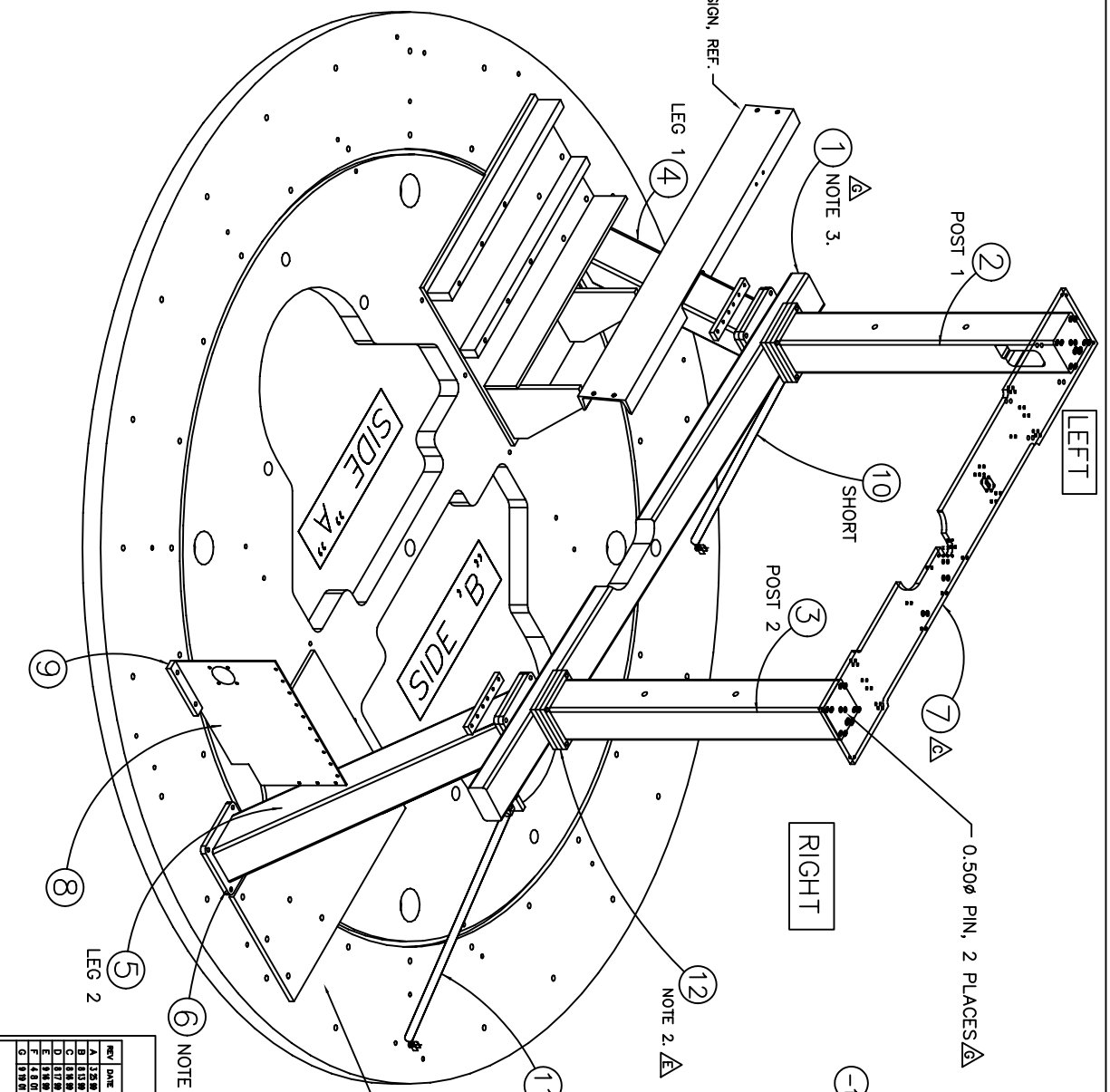


INCHES

CHANGED BY
ECO # 52201



TV GUIDER STRUCTURE ASSEMBLY

1. REC'D
MATERIAL:
FINISH: BLACK AMERCOAT 385, 00938
NEXT ASSY: D0001-1

- NOTES:
1. NEW HOLES IN DRIVE DISK ARE ON D6337
 2. STEEL SPACERS TO RE-ALIGN SMOUT PLATE, ITEM 7
 3. SHORTEN BOTH ENDS PER ECO #52201

SIDE B IS NOT BUILT.
USE COUNTERWEIGHT INSTEAD

REV	DATE	ORIGIN	CHKD	REVISION
A	1/28/81	J.S.	C.H.	0.235XF DRAWING CHECK AND MODS.
B	8/18/81	J.S.		FAST BLOCKS AND DRIVE-2 PLATE.
C	8/18/81	J.S.		ADD WEA. SMOOTER ENDS
D	8/17/81	J.S.		ADD SPACER STRIPS
E	4/8/82	J.S.		ADD DRIVE DISK
F	4/8/82	J.S.		ADD DRIVE DISK
G	8/19/81	J.S.		FINAL ITEM 1. ADD FIN. NOTE.

REV	DATE	ORIGIN	CHKD	REVISION
A	1/28/81	J.S.	C.H.	0.235XF DRAWING CHECK AND MODS.
B	8/18/81	J.S.		FAST BLOCKS AND DRIVE-2 PLATE.
C	8/18/81	J.S.		ADD WEA. SMOOTER ENDS
D	8/17/81	J.S.		ADD SPACER STRIPS
E	4/8/82	J.S.		ADD DRIVE DISK
F	4/8/82	J.S.		ADD DRIVE DISK
G	8/19/81	J.S.		FINAL ITEM 1. ADD FIN. NOTE.

PART NO.	QTY	DESCRIPTION	MATERIAL
D8771-1	1	CROSS MEMBER	STEEL
D8771-2	1	POST 1	STEEL
D8771-3	1	POST 2	STEEL
D8771-4	1	POST 3	STEEL
D8771-5	1	POST 4	STEEL
D8771-6	1	POST 5	STEEL
D8771-7	1	POST 6	STEEL
D8771-8	1	POST 7	STEEL
D8771-9	1	POST 8	STEEL
D8771-10	1	POST 9	STEEL
D8771-11	1	POST 10	STEEL
D8771-12	2	SPACER	STEEL
D8771-13	1	LONG SMOUT	STEEL
D8771-14	1	SHORT SMOUT	STEEL
D8771-15	1	MOUNT PLATE	STEEL
D8771-16	1	BEARING SUPPORT	STEEL
D8771-17	1	SMOUT PLATE	STEEL
D8771-18	1	DRIVE DISK	STEEL
D8771-19	1	LEG 1	STEEL
D8771-20	1	LEG 2	STEEL
D8771-21	1	POST 1	STEEL
D8771-22	1	POST 2	STEEL
D8771-23	1	POST 3	STEEL
D8771-24	1	POST 4	STEEL
D8771-25	1	POST 5	STEEL
D8771-26	1	POST 6	STEEL
D8771-27	1	POST 7	STEEL
D8771-28	1	POST 8	STEEL
D8771-29	1	POST 9	STEEL
D8771-30	1	POST 10	STEEL

UNIVERSITY OF CALIFORNIA	LOCK OBSERVATORY
KECK / DEIMOS	TV GUIDER STRUCTURE ASSEMBLY
DATE	08770.G