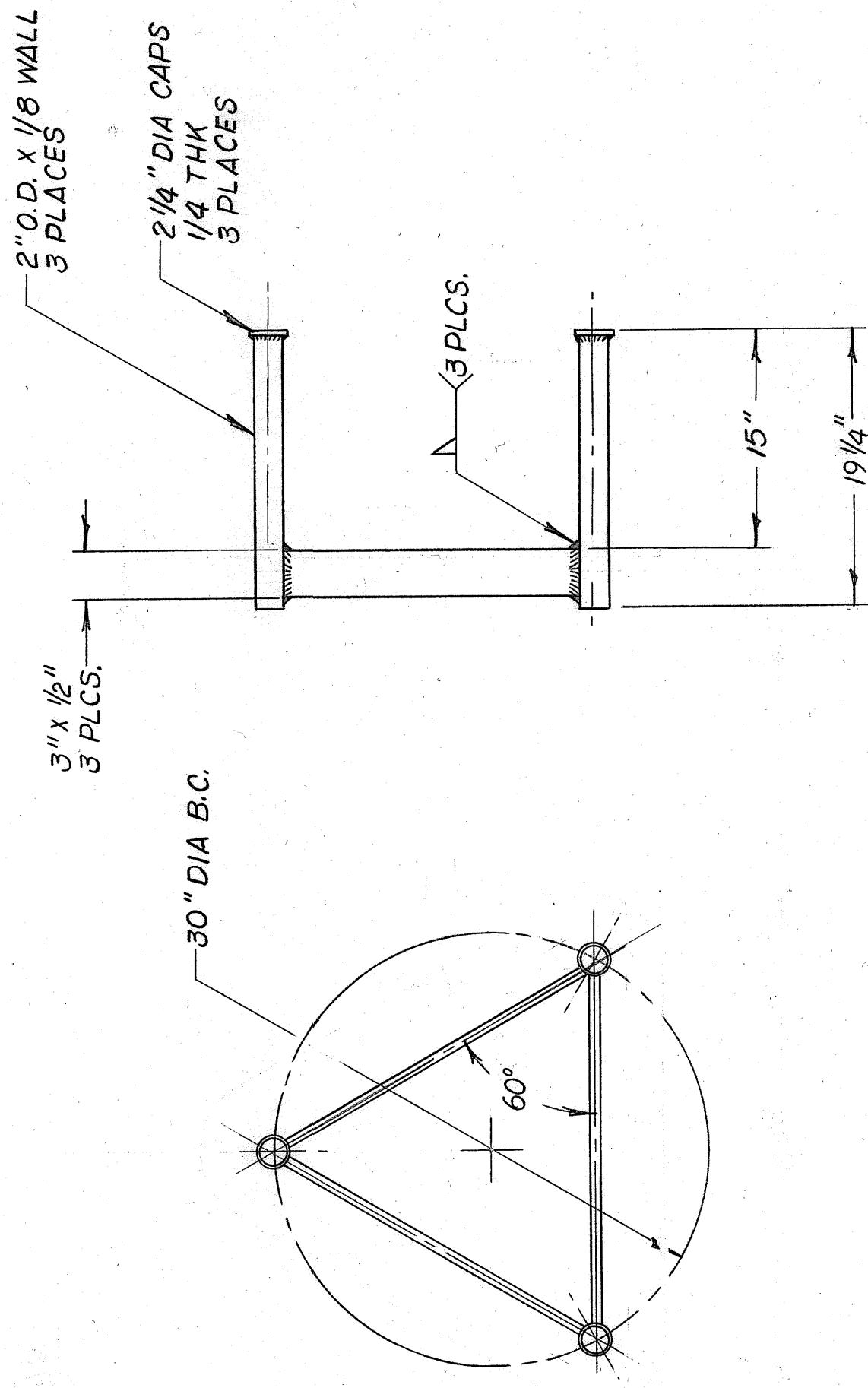
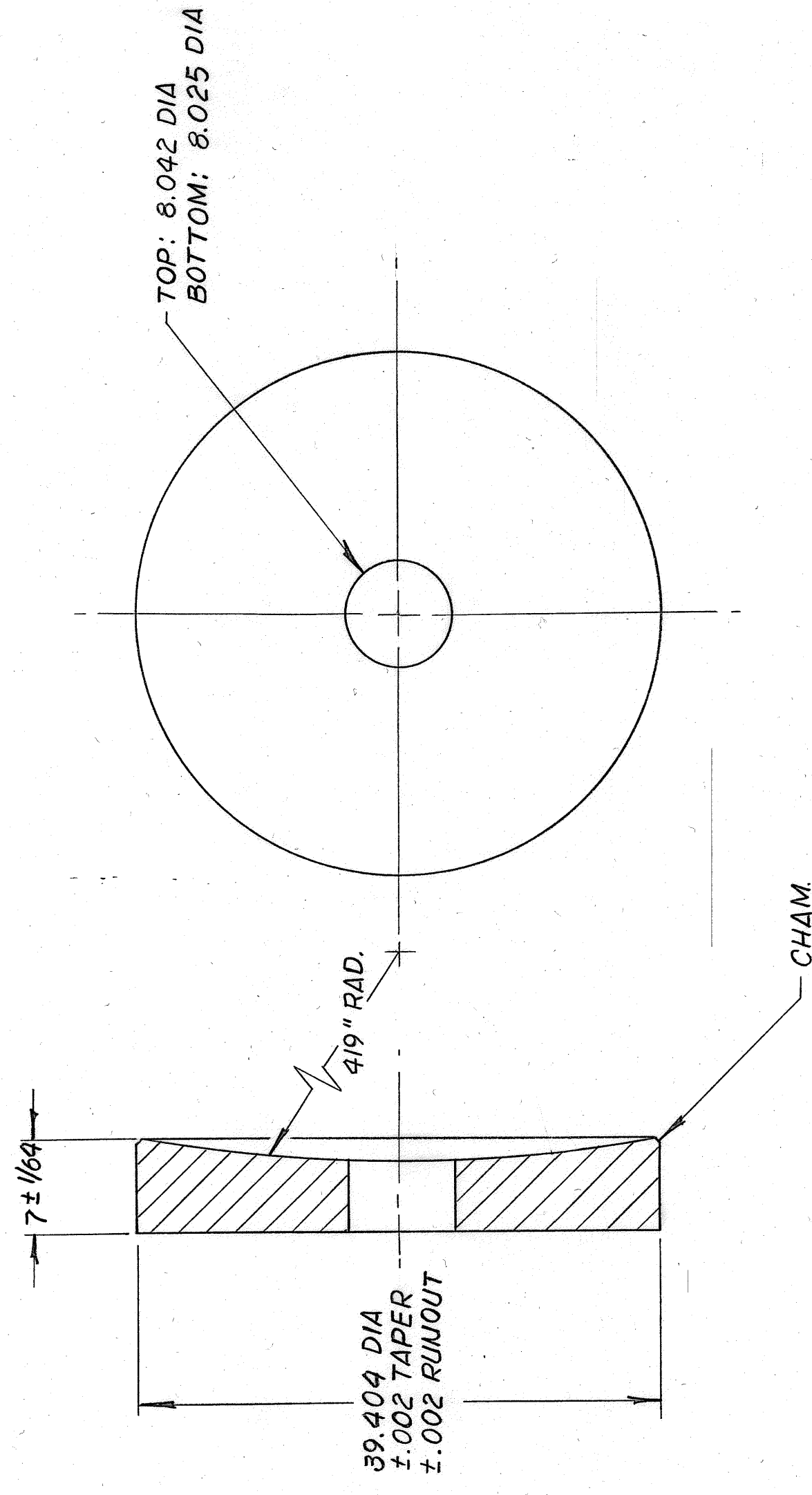


ϕ_A pivot
 $\phi_{12} = 90^\circ$
 $S_{12} = 4"$



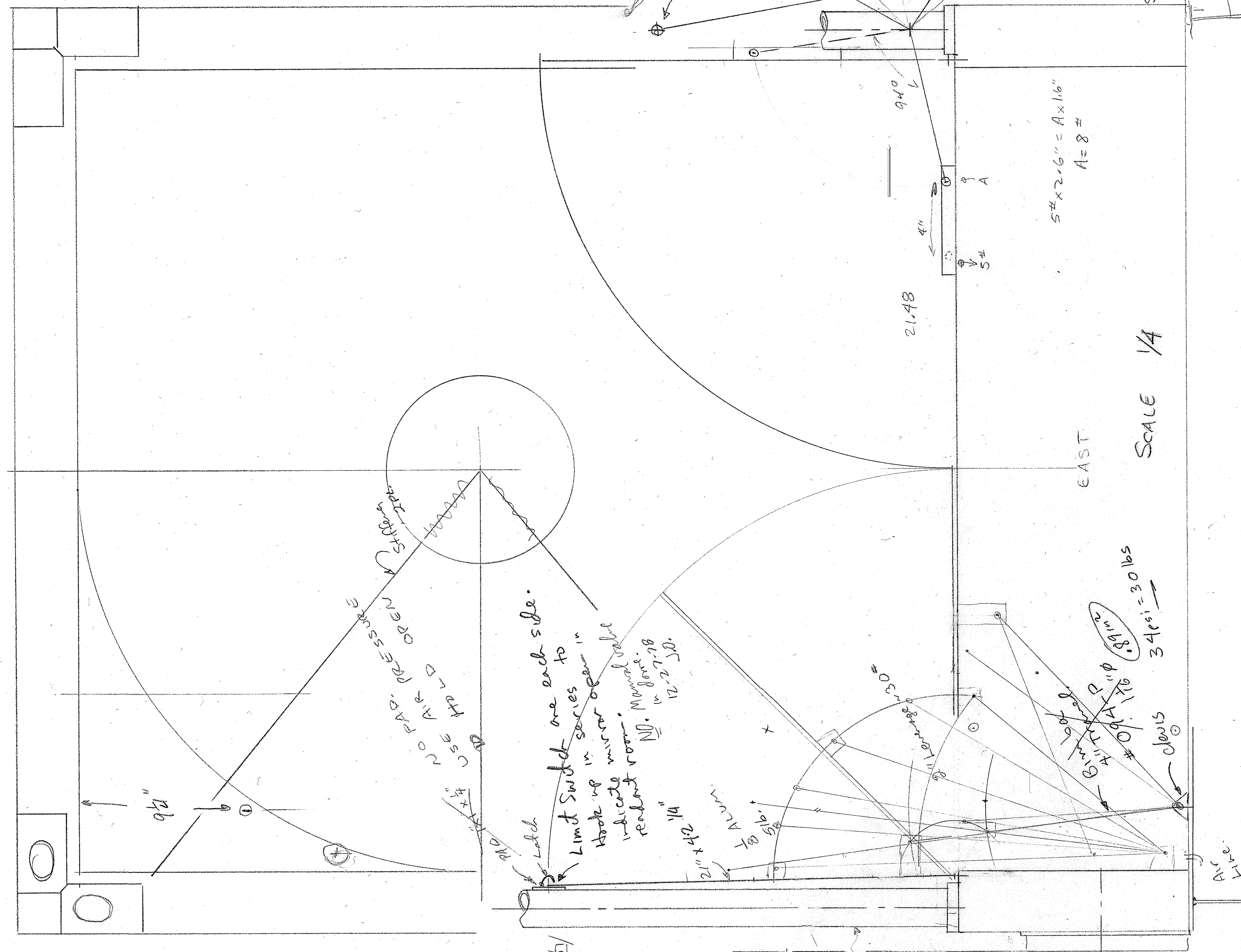
1-46 MIRROR INSTALLATION FIXTURE
 MAT'L - STEEL
 SCALE - 1/10



4-46 MIRROR
 1-REQ'D
 MAT'L - E-6 LOW EXPANSION PYREX
 $\mu_c = 1.53 \times 10^{-6} \text{ in/in/in}^2 \cdot F$
 CURVE - PARABOLIC
 SCALE - 1/10

NOTES:

- WEIGHT: 670 LBS.
- DIAMETER MEASURED @ 70° F
- FL = 209 5/8"
- Sag = .46"



SCALE 1/4

SHEET NO.	QUAN.	DESCRIPTION	PART NO.	QUAN.	DESCRIPTION	MATERIAL
1	1	REVISED PART 1/46				AS NOTED

TOLERANCES UNLESS OTHERWISE NOTED:
 FRACTIONAL OVER 24" ± 1/16"; 6" TO 24" ± 1/32"; UNDER 6" ± 1/64"
 DECIMAL .XX ± .001; .XXX ± .010; .XXXX ± .005; .XXXXX ± .001
 BREAK SHARP EDGES AND CORNERS 1/8" MAXIMUM.

DATE	BY	CHKD	REVISION
10/2/78	OW		REVISED PART 1/46

.2 10/5/78 JO Add mirror case layout

UNIVERSITY OF CALIFORNIA	DESCRIPTION	MATERIAL
LICK OBSERVATORY	40 INCH TELESCOPE	
MIRROR & INSTALLATION TOOL DETAILS		

DRAWN: CSO 9/26/77
 CHECKED: CSO 9/26/77
 DATE: 9/26/77
 MAKE: 1
 UNITS: 1
 APPROVED: 9/26/77
 DATE: 9/26/77
 DWG. NO.: 9146.2