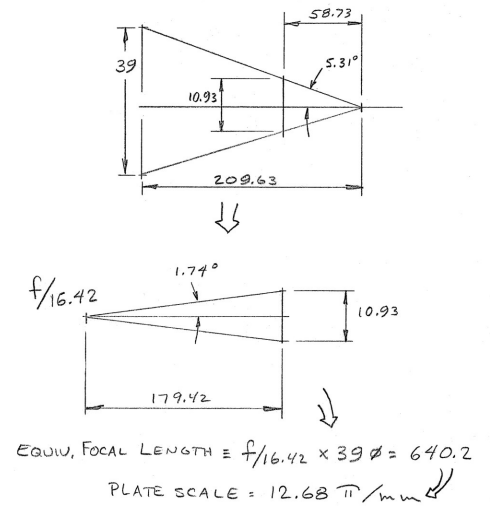


- ① 2.2" Ø SHIELDED FROM STRAY LIGHT
2-80 (11.8" Ø)
- ② 4.0" Ø UNVIGNETTED FIELD
2-80 (21.4" Ø)
- ③ BEST SECONDARY SHIELD
WILL HAVE 3.5" Ø FULL SHIELDED
AND UN-VIGNETTED FIELD
WITH THIS PRIMARY SHIELD! 2-80
- ④ PRESENTLY - 86% OF 39" Ø
BEAM USED. 2-80
- ⑤ FOR MINIMUM SECONDARY:
(NO FIELD) ~ 92% OF 39" Ø

(209.63 F.L.
39 Ø USEABLE (39.4 BLANK Ø)
7" THK 8" HOLE .46 SAGITTA



SHEET	PART NO.	QUAN.	DESCRIPTION	MATERIAL	SHEET	PART NO.	QUAN.	DESCRIPTION	MATERIAL
TOLERANCES UNLESS OTHERWISE NOTED: FRACTIONAL OVER 24" ± 1/16"; 6" TO 24" ± 1/32"; UNDER 6" ± 1/64" DECIMAL X.X ± .100"; X.XX ± .010"; X.XXX ± .005"; X.XXXX ± .0001" BREAK SHARP EDGES AND CORNERS 1/64" MAXIMUM.					SCALE: VERT. 1/2 HORIZ. 1/10				
UNIVERSITY OF CALIFORNIA					UNIVERSITY OF CALIFORNIA				
LICK OBSERVATORY					LICK OBSERVATORY				
40" TELESCOPE					40" TELESCOPE				
f/16.42: CASS. SHIELDING					f/16.42: CASS. SHIELDING				
- WITH THE SPECTROGRAPH					- WITH THE SPECTROGRAPH				
DRW'N	JO	2/12/80	MAKE	UNIT(S)	DWG. NO.				
DRW'N	JO	2/13/80	APPROVED		9140D.1				
CHK'D			DATE						

(EXTENSION
COULD BE
BUILT)